

CLIFF

Single Touch Proof Terminal Binding Posts



TP-44



TP-60 L Long Stud



TP-60 S



TP-60 SG Clear Gold

The **CLIFF**[®] range of single touch proof Terminal Binding Posts is designed for use in varied applications including professional and consumer audio, test and measurement, power supplies and industrial uses. Terminal spindles and mounting hardware are manufactured from high quality solid brass, either nickel or gold plated. Plastic parts are molded from tough glass reinforced Nylon, Polypropylene or clear Resin. Terminals are shrouded and 'touch proof' to reduce the risk of accidental electric shock in higher current applications and also comply with European safety regulations. Most models are UL approved.

Significant features include:

- All models have the **CLIFF**[®] Castellated Knob.[™]
- Conform to the general requirements of UL 813 and EN 60065.
- Terminals are 'touch proof' to reduce the risk of accidental electric shock in higher current applications.
- UL approved. File E151339.

Cliff Electronic Components, Ltd.

76 Holmethorpe Avenue, Holmethorpe Ind. Est.

Redhill, Surrey RH1 2PF. England

Tel: +44 (0) 1737 771375

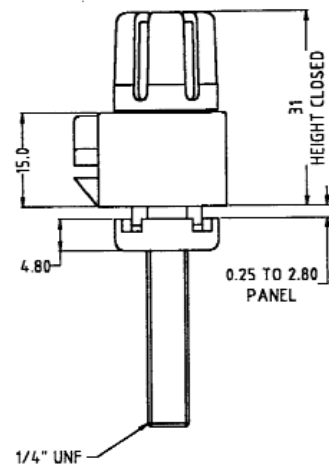
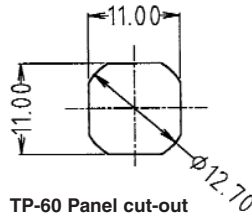
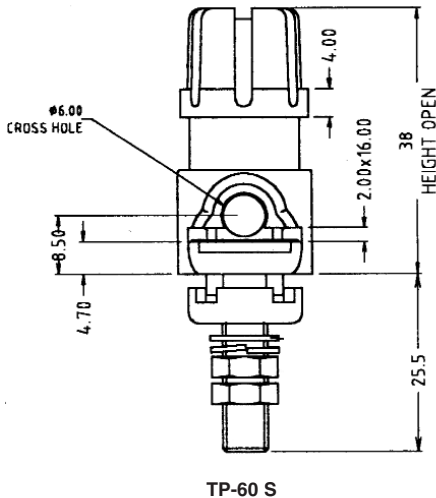
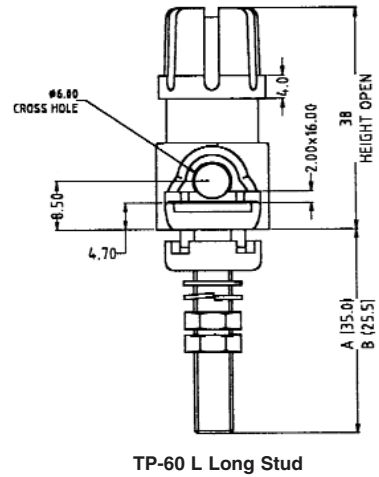
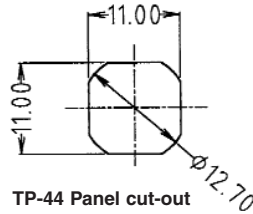
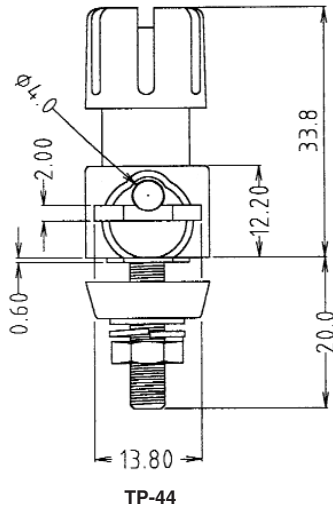
Fax: +44 (0) 1737 766012

Email: sales@cliffuk.co.uk



Visit us online at:

www.cliffuk.co.uk



Dims mm

Specification:

Maximum Current: TP-44 30A, TP-60 60A

Contact Resistance: Nickel <30mΩ, Gold <20mΩ

Temperature Rating: -20°C to +80°C

Flammability: Minimum UL 94HB

UL File: E151339

Technical Data:

All terminals are supplied with one plain washer, one spring washer and one nut. TP-44 has a 10 x 32 UNF thread. TP-60 has 1/4" UNF thread. All models can be supplied with either a nickel or gold plated finish and different stud lengths are available. Contact our sales office for more details. Red and black 'blanking' plugs are available for inserting into the 4mm end-holes to comply with European safety regulations. Clear plastic knobs with coloured identents can be supplied to order, subject to quantity. Especially used on gold plated versions.